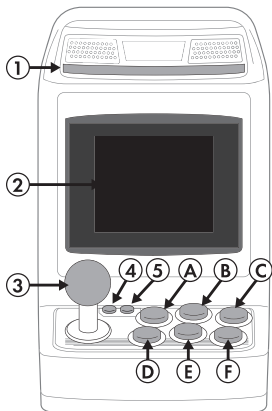


# Main unit specifications and connection method

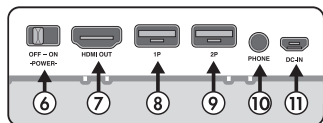
## Front body



- ① Power indicator
- ② LCD monitor
- ③ Joystick
- ④ Credit button
- ⑤ Start button

## Body lower back

- ⑥ Power switch
- ⑦ HDMI terminal
- ⑧ Control terminal 1 (1P)
- ⑨ Control terminal 2 (2P)
- ⑩ Earphone jack
- ⑪ Power supply terminal (DC-IN)



### ⑫ HDMI cable (included)

When connecting to a TV and playing, connect the included HDMI cable to the HDMI terminal.

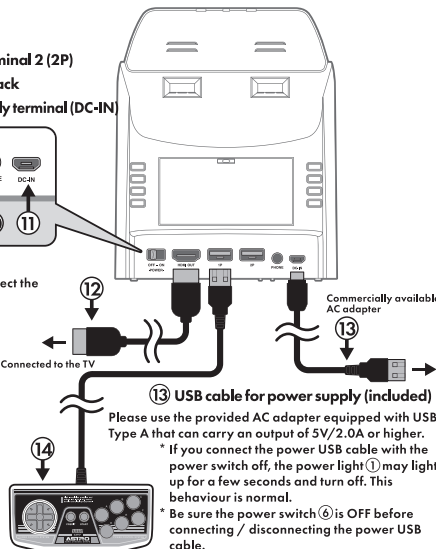
### When playing in the ASTRO CITY Mini,

1. Check that the power switch in ⑥ is OFF.
2. Connect the USB cable for the power supply in ⑬ to the main unit and the AC adapter (commercially available), and then connect to the outlet. Please read ⑬.
3. Turn the power switch to ON ⑥.

### When connecting to a TV and playing,

1. Before connecting the USB cable for power supply ⑬, connect the HDMI cable of ⑫, the custom control pad ⑭ (sold separately), and the custom arcade stick (sold separately). (You can play by connecting the TV to the main unit.)

\* When connected to a TV and the power switch ⑥ is turned on, the ASTRO CITY logo will display momentarily on LCD screen ②.



- ⑬ USB cable for power supply (included)  
Please use the provided AC adapter equipped with USB Type A that can carry an output of 5V/2.0A or higher.  
\* If you connect the power USB cable with the power switch off, the power light ① may light up for a few seconds and turn off. This behaviour is normal.  
\* Be sure the power switch ⑥ is OFF before connecting / disconnecting the power USB cable.
- ⑭ Custom control pad (sold separately), Custom arcade stick (sold separately)  
When using one custom control pad (sold separately) or custom arcade stick (sold separately), connect it to control terminal 1P, and when using two, connect it to the control terminals 1P and 2P, respectively.

©SEGA ©SEGATOYS MADE IN CHINA

AGE 15+

SEGA®

# ASTRO CITY mini Instruction Manual

Thank you very much for purchasing the ASTRO CITY Mini. Please read the instruction manual before use to ensure proper use of the product. Please keep this manual in a safe place to refer to later.



## Inclusions

If you find that any of the contents are damaged or missing at the time of opening, please contact the customer service center and do not use the product. Please note the actual product may differ slightly from the illustrations in the manual.

- ▶ Main unit ... 1 piece
- ▶ USB power cable ... 1 piece
- ▶ HDMI cable ... 1 piece
- ▶ Instruction manual (with warranty) ... 1 piece

## Product Specifications

- ▶ Dimension: W:130 mm H:170mm D:175mm
- ▶ Main unit weight: 600g approx
- ▶ Power supply: USB to power (5V / 2.0A)
- ▶ Power consumption: 10w approx

MNL-80526A

# Screen / operation explanation



First select the language. Use the joystick and press the D button to select the language.



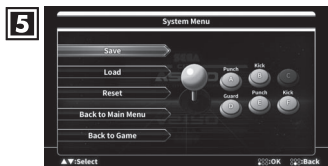
After setting the language, you will be taken to the main menu. Select a game with the joystick and press the D button to confirm. Press the credit button to display the main unit settings screen. If there is a "BGM" notation at the bottom right of the screen, you can listen to the BGM of the game by pressing the F button.



Each setting can be made on the main unit setting screen. Please read the "Please read first" before progressing.



On the start screen of each game, press the credit button to add credit, press the start button to start the game, and press both the credit button and start button at the same time to return to the menu screen.



On the menu screen, you can select "Save", "Load", "Game reset", "Return to main menu", and "Return to game". Click "Return to Main Menu" to return to the game selection screen.



If you press both the credit button and the start button at the same time while playing each game, the menu screen will appear. If you select "Save", you can save the game you are playing at any time.

**HDMI®** HDMI, HDMI High-Definition Multimedia Interface and the HDMI logo are trademarks of HDMI Licensing LLC or registered trademarks in the United States and other countries.

For third-party open software, please visit ( )  
The software installed in this product is subject to certain restrictions. For more information, please visit ( )

SEGA, the SEGA logo and ASTRO CITY are registered trademarks or trademarks of SEGA Co., Ltd. or its affiliates.

SEGA, the SEGA logo and ASTRO CITY are either registered trademarks or trademarks of SEGA CORPORATION.

The contents and display of the included game software may differ from past works of the same name.

This product is protected by copyright. Commercial use, unauthorized reproduction and rental of this product is prohibited.

# Safe usage

## Important Instructions!

This "Instruction Manual" describes instructions you should follow in order to prevent harm to customers and others, damage to property, and to use this product safely. Please read this "Instruction Manual" carefully before use of this product. Keep it in a safe place so that you can review it at any time.

SEGA TOYS products are designed with due consideration for safety. However, if used improperly, there is a risk of accidents due to fire or electric shock. Please be sure to observe the following in order to protect your safety and enjoy using SEGA TOYS products.

### Observe safety precautions.

▶▶ Please be sure to read this instruction manual carefully before use.

### Do not use if it breaks down.

▶▶ If you notice a malfunction or damage, immediately contact the SEGA TOYS Customer Service Center or the store where you purchased the product.

### If you hear unexpected sounds, smells, smoke or notice other abnormalities, do not repair it yourself!

▶▶ Unplug the USB power supply cable and immediately contact the SEGA TOYS Customer Service Center or the store where you purchased the product.



**Caveat** Failure to follow the precautions on this document may result in personal injury or death due to fire or electric shock.



**Caution** Failure to follow the precautions in this document may result in injury or damage to nearby household goods due to electric shock or other causes.

## Health precautions

### **Caveat** About seizures caused by light stimulation

In rare cases, blinking screens and other light stimuli may cause symptoms of eye pain, visual abnormalities, migraines, convulsions and impaired consciousness (light-sensitive seizures). If you experience any of these symptoms, be sure to consult your doctor in advance.

### **Caution** In these cases, stop playing immediately

In addition to the above symptoms, if you feel headache, dizziness, nausea, tiredness, motion sickness-like symptoms, or if you feel discomfort or pain in parts of your body such as eyes, ears, hands, arms, and feet. Stop playing immediately. If symptoms continue after you stop playing, please see a doctor.

- ▶ When playing, keep the room bright and play as far away from the screen as possible.
- ▶ Avoid playing when you are tired or lack sleep.
- ▶ For your health, take a 15-minute break every hour when playing.
- ▶ If you feel sick during play, stop playing immediately.

## Precautions for usage

This product is a precision electronic device. Pay particular attention to the following points when using this product.

### **Caveat** Please note the following as it may be the cause fire, electric shock or injury, damage to household goods and equipment damage.

- Please place out of reach of small children. Not to be used by children under the recommended age.
- Please use only indoors such as a room in a household.
- This product generates some heat during use, if you are in contact with it for a long time, there is a risk of low-temperature burns. Also, if it gets abnormally hot during use, immediately turn off the power switch of the main unit, disconnect the USB power supply cable from the main unit, and stop using it.
- Never disassemble, repair or modify this product. There is a risk of electric shock, fire or malfunction.
- If the USB power supply cable or HDMI cable is damaged (poor contact, disconnection, etc.), stop using it immediately. There is a risk of electric shock or fire.
- Do not forcibly bend, twist, pull strongly on the power supply USB cable or HDMI cable. The cable may be damaged, resulting in electric shock or fire.
- Do not place heavy objects on the USB power supply cable or HDMI cable. The cable may be damaged and cause an electric shock or fire.
- Connect the commercially available AC adapter to AC 100V.
- This product is for use only in Japan. If used overseas, the voltage and usage environment may differ, which may cause fire or malfunctions.

- Do not connect to a direct current (DC) power source such as a ship as it may cause fire.
- Do not leave in direct sunlight.
- Keep the power supply USB cable and HDMI cable away from heating appliances. The cable cover may melt and cause a fire or electric shock.
- Never use or store this product in the following places as it may cause a failure or fire.
  - (1) Inside a car with closed windows or in direct sunlight
  - (2) Places where the temperature rises abnormally
  - (3) Hot places above 40 ° C
  - (4) Cold places below 10 ° C
  - (5) Places near fire or where there is a heater
  - (6) Places with a lot of humidity and dust
  - (7) Places that are subject to impact or vibration
- If you use the product and you experience abnormalities such as smoke, strange smells or noise, it may cause electric shock or fire. Unplug the USB power cable from the main unit and unplug it from the outlet.
- If water or foreign matter gets inside the product, disconnect the USB power supply cable from the main unit and disconnect it from the outlet.
- If the product is dropped or damaged, disconnect the USB power supply cable from the main unit and unplug the outlet. Continued use may cause electric shock or fire.
- If you do not use this product for a long period of time, for safety, disconnect the USB power supply cable from the main unit and unplug the outlet. There is a risk of fire.
- Do not short-circuit, charge, disassemble, heat, or place in fire.
- Do not handle this product, the USB power supply cable, or the HDMI cable with wet hands. There is a risk of electric shock or fire.
- Be careful not to get this product, the USB power supply cable, or the HDMI cable wet. There is a risk of electric shock or fire.
- Do not use in the bathroom. It may cause electric shock or fire.
- If lightning strikes, do not touch the power supply USB cable or HDMI cable. There is a risk of electric shock.

### **Caution**

- Do not disconnect the power USB cable or HDMI cable while the power switch of the main unit is on.
- If you bring it from the cold outdoor to a warm room, there is risk of condensation. If condensation occurs, leave the USB power cable unplugged and leave it in a warm room until the condensation dissipates.
- Do not use chemicals such as benzene or thinner when cleaning.
- When disposing of this product, follow the instructions set out by your local government.
- Do not connect the main unit any non compatible devices as it will cause failure.
- Do not place vases, flower pots, cups of water, or containers containing cosmetics or chemicals around the main unit. If it falls onto the main unit and it gets wet, it may cause a malfunction.
- Do not drop the main unit, give it an electric shock, apply excessive force, or handle roughly as it will cause failure.